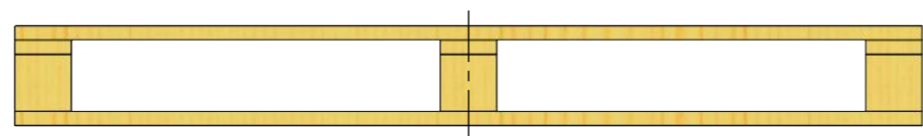
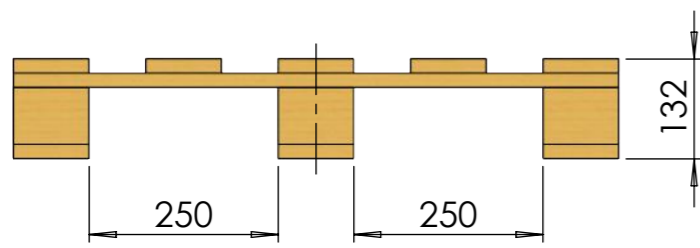
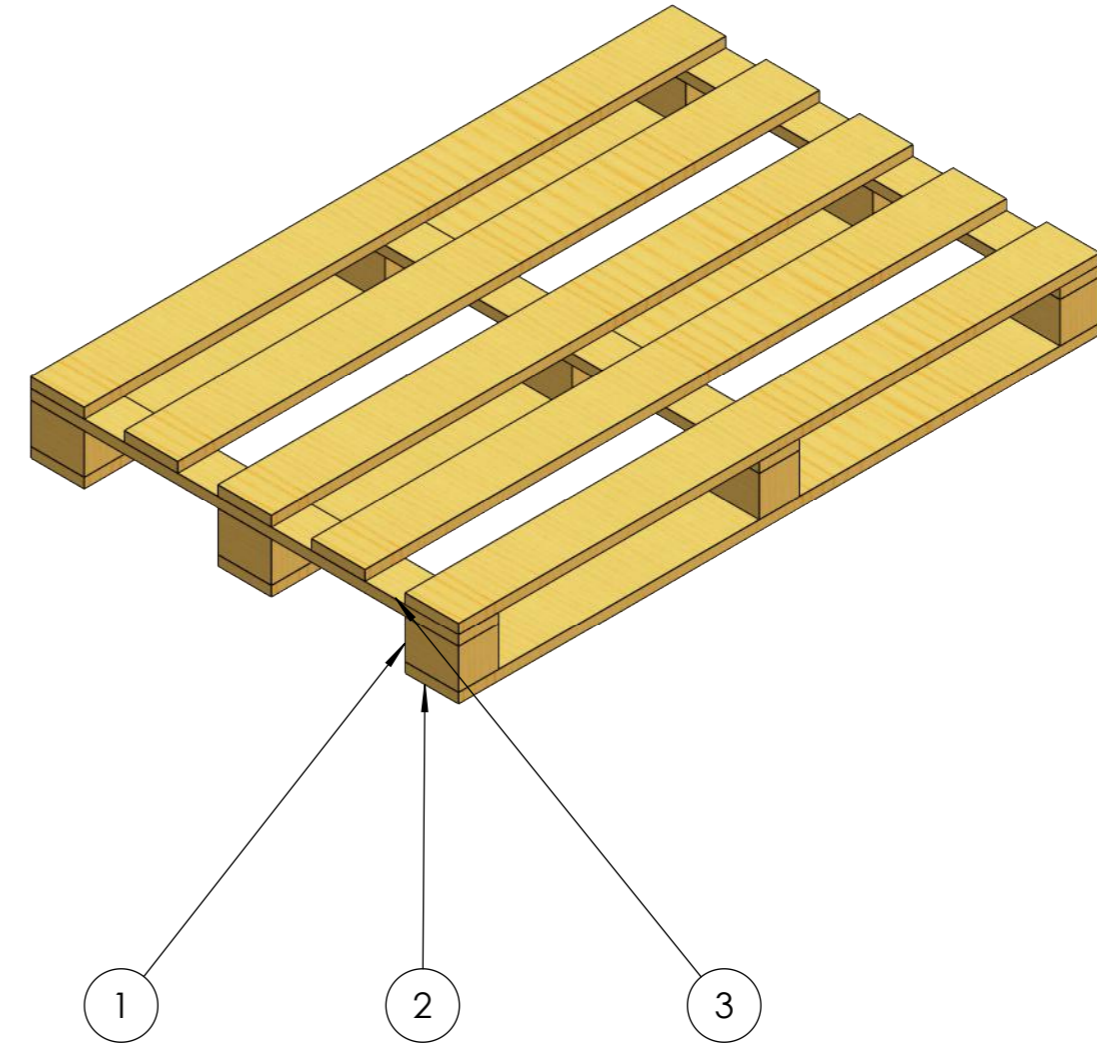
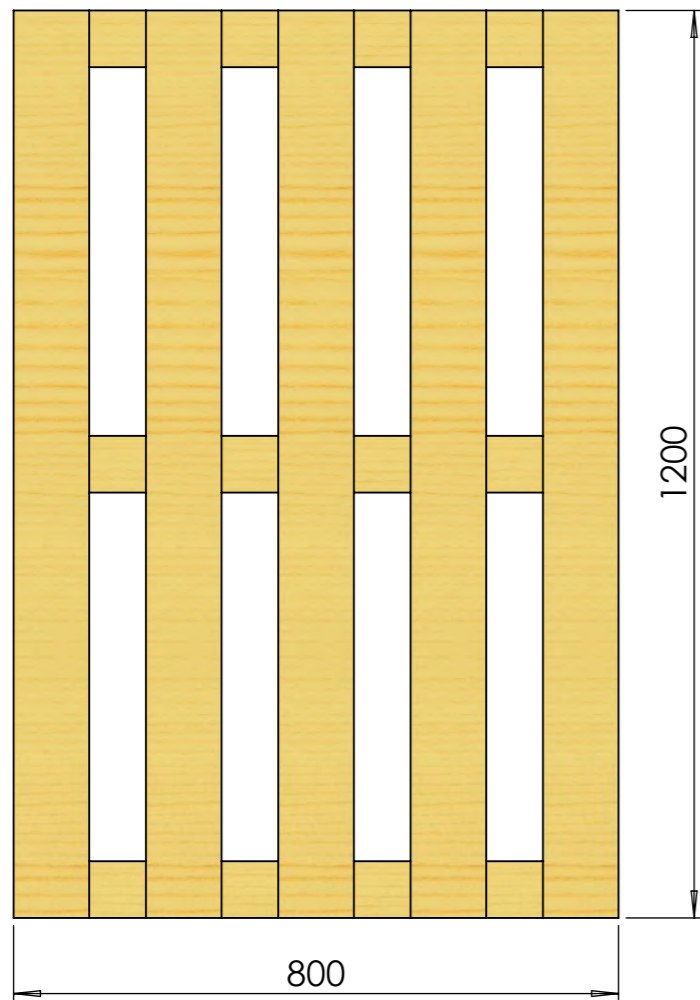


THIS DRAWING AND THE INFORMATION CONTAINED IN IT ARE PROPRIETARY AND THE SOLE PROPERTY OF NORDPALL AS

ANY USE, REPRODUCTION OR DISTRIBUTION, IN WHOLE OR IN PART, WITHOUT THE PRIOR WRITTEN CONSENT OF NORDPALL AS IS PROHIBITED.



Item No.	Qty.	Description	Length
3	3	19 x 75	800
2	8	19 x 100	1200
1	9	75 X 100	75

REV.	DATE	DRAWN	CHECKED	APPROVED
0	28.02.17	EST	IVH	FIH



TITLE: PALLET NO. 16
800 x 1200

DWG NO. 01-pallet-00

ESTAM^{no}

REVISION 0

WEIGHT: 9086

SCALE: 1:10

SHEET 16 OF 16

IPPG

NO-918779809
HT

8 7 6 5 4 3 2 1

F
E
D
C
B
A

F
E
D
C
B
A

8 7 6 5 4 3 2 1